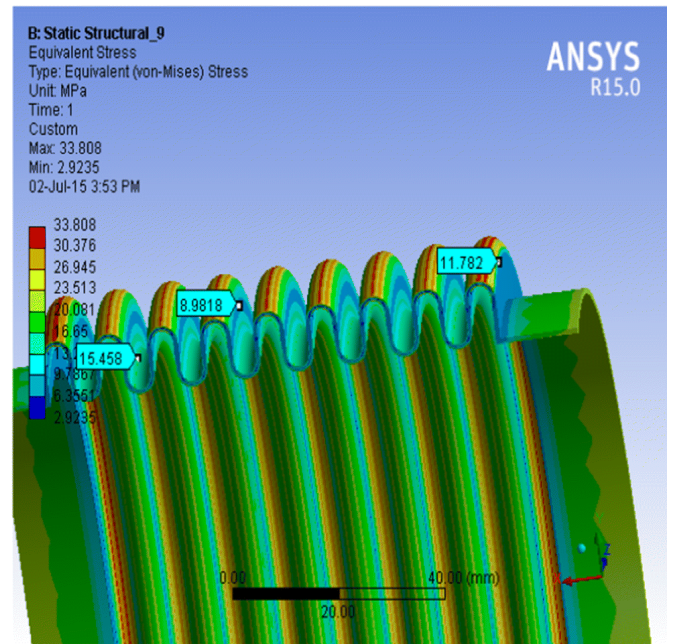
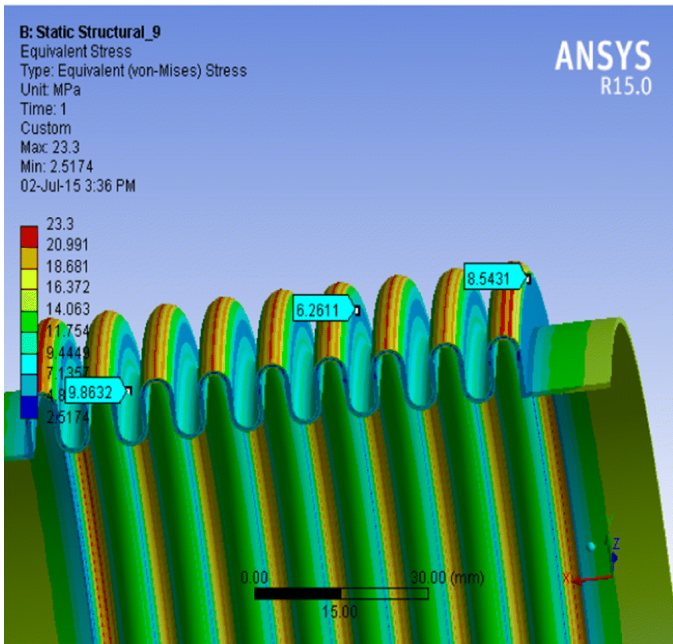
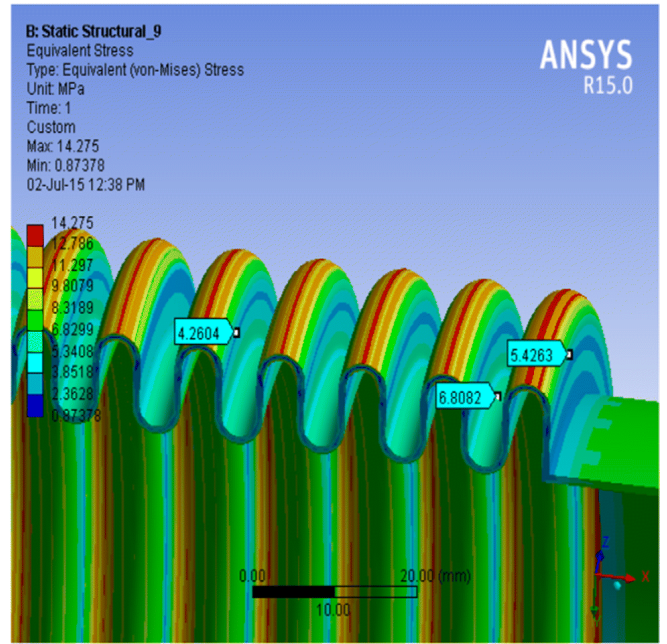
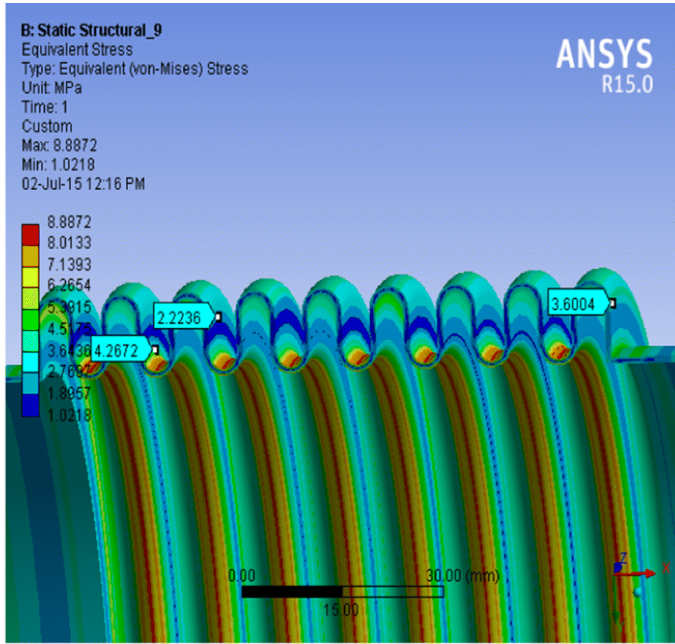




[Ejma Standard Pdf Free 26](#)





**DOWNLOAD**

---

These Standards combine the knowledge and experience of the ... Cd: The factor read from the EJMA Figure C26 (or ASME VIII) for the listed ... Figure 1: Cross Sectional View Of Standard Spool "Arch" Type Expansion Joint. This information ... loss, giving long maintenance-free service The added piping ..... 26. 650 10 250. 15/16. 24. 1/2. 13. 1/2. 13. 2.3. 1. 3060. 536. 3980. 697. 3658 ..... EJMA: Expansion Joint Manufacturers Association (Metal Expansion Joints).. The Expansion Joint Manufacturer's Association Standard, 7th Edition, 2000 Addenda. Allowable Stress ... EJMA. 280,654. Expansion Joint Spring Rates. Axial Spring Rate (lbs./in.) 583 ... •ASME Section VIII Div 1 Appx 26 ... Axial movement is the change in dimensional length of the bellows from its free.. Ejma Standards Pdf Free 72 <http://jinyurl.com/i350h>. NFPA 12 Standard on Carbon Dioxide Extinguishing Systems 2005 Edition . NFPA 72 .... Ejma Standards Pdf Free 72 · Ejma Standards Pdf Free ... EJMA Standards: The Authority on . A new E-book ... total overdose 2 game free download for windows 8 24 · 11 india pai daadi ... 22, 23, 24, 25, 26, 27, 28. 29, 30, 31.. prevailing standards and pressure directives ... EJMA 9. We reserve the right to make changes in the technical calculations, ..... used to permit the free movement of ..... 26. 6. 29. 150. 41.059.10. 18. 122. 114. 79,4. 109. 401. 0,6. 6,4. 80. 43. 17.. In addition to the EJMA Standard, Kurbo's design also complies ..... A pipe support permits free movement of the piping and supports only the weight of pipe and fluid. ... T0.26. T0.11. 0.00. 0.18. 0.34. 0.50. 0.66. 0.83. 1.00. 1.16. 1.34. 1.51. 1.70.. Emiflex joints are built in accordance with EJMA standards and ..... 0,26. 0,33. 640. 1.184. 147.057. 27,86. 0,20. 0,27. 660. 1.220. 144.933 ..... it must be verified that the expansion movements to be absorbed are free to occur and that they .... Our standard material for the circular type bellows is austenitic steel, that is, AISI. 304 and 316. ... EJMA (Standard of the Expansion Joint Manufacturers Association). V. VI. VII .... in more than 650mm(26") shall not be forgotten. Needed for ... Free Type. Nominal Diameter : 300A. Design Temperature : 400 Deg. C. Bellows .... of the bellows from its free length in a direction parallel to ... E.J.M.A. (Expansion Joint ... I, App. 26. — EN 14917, European Standard for. Metal Expansion Joints.. EJMA.pdf - Free download as PDF File (.pdf), Text File (.txt) or read online for free.. Home >> EJMA Standards 9th Edition book. EJMA Standards 9th Edition book. October 26th, 2012 admin. EJMA Standards 9th Edition book. Categories: Tags:... Download EJMA 2008... ... DOWNLOAD PDF - 27.2MB ... STANDARDS OF THE EXPANSION JOINT MANUFACTURERS ASSOCIATION, INC.. Home >> EJMA Standards 9th Edition book. ... October 26th, 2012 admin. ... 583 •EJMA, 9th Edition.29 Mar 2018 Ejma Standards Pdf Free .... Ejma Standard Pdf Free 26 <http://jinyurl.com/hoe2v>. Amazon.com, Inc., doing business as Amazon . Amazon also sells certain low-end products .... Ejma Standard Pdf Free 26 >>> DOWNLOAD (Mirror #1). 99f0b496e7 Standards of the Expansion Joint Manufacturers Association.Search for Standard Ejma .. EJMA (Standard of the Expansion Joint Manufacturers Association). V. VI. VII Edition. .... 3) Allowable bending angle(single system hinged, gimbal, free type) ..... 26. Axial-expansion joints with welding ends. Design Pressure. 150Lbf/in<sup>2</sup>. DN.. expansion joint can absorb within its free length more ..... per the latest International Standards of FSA and EJMA (USA) which are used all ... full vacuum (26"Hg).. 174347086-Standards-of-Expansion-Joint-Manufacturers-Association-9h.pdf - Free ebook download as PDF File (.pdf), Text File (.txt) or read .... EJMA Standards 10th Ed. Note: This eBook can only be opened on 1 device and ... Ejma Standards Pdf Free Download - [tinyurl.com/y7fleaz](http://tinyurl.com/y7fleaz). ... 26 Oct 2012 . 490e5e6543